



## ICBID-30FI

### FEATURES

Accepts custom panels for an integrated look within cabinetry or stainless-steel accessory panels and handles to match other Sub-Zero, Wolf, and Cove products

Controls temperature within one degree of setpoint

Locks in cold air to ensure freshness with magnetic door seals

Control brightness with soft-on LED lighting

Yields ice automatically and "max ice" for additional production

Open and close doors silently with soft-close technology

### ACCESSORIES

Dual Installation Kit

Reduced Toekick Divider

Stainless Steel Pro Handles

Stainless Steel Tubular Handles

Stainless Steel Drawer Panels With Pro Handles - 10 CM Toe Kick

Stainless Steel Drawer Panels With Pro Handles - 15 CM Toe Kick

Stainless Steel Drawer Panels With Tubular Handles - 10 CM Toe Kick

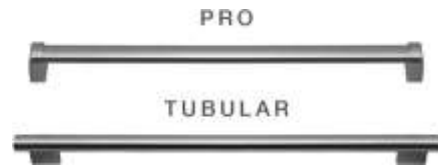
Stainless Steel Drawer Panels With Tubular Handles - 15 CM Toe Kick

Stainless Steel Dual Installation Kickplates

Accessories are available through an authorized dealer.  
For local dealer information, visit [www.szwasia.com](http://www.szwasia.com)



### HANDLE ACCESSORIES



### PRODUCT DETAILS

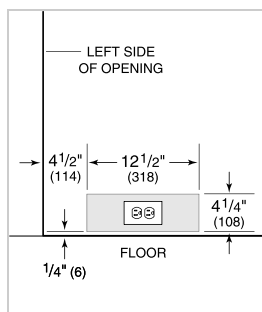
#### FREEZER

- Adjustable drawer dividers
- LED lighting
- Automatic ice maker
- Removable ice container

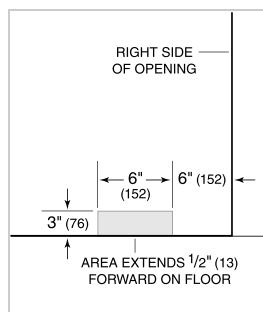
**PRODUCT SPECIFICATIONS**

Model	ICBID-30FI
Dimensions	76 CM W x 88 CM H x 61 CM D
Drawer Clearance	18 3/8"
Freezer Capacity	5.1 cu. ft.
Electrical Supply	220-240 VAC, 50/60 Hz
Electrical Service	15 amp dedicated circuit
Plumbing Supply	1/4" OD copper, braided stainless steel or PEX tubing
Plumbing Pressure	35-120 psi

**ELECTRICAL**



**PLUMBING**

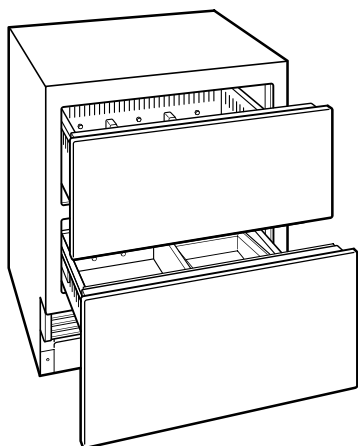


**NOTE:** The electrical outlet must be positioned with the grounding prong to the right of the thinner blades.

**PANEL SPECIFICATIONS** For complete panels specifications including width/height, weight requirements and thickness requirements visit [subzero-wolf.com/reveal](http://subzero-wolf.com/reveal).

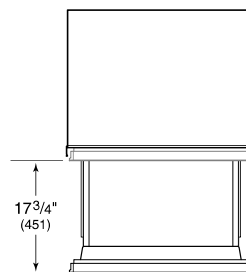
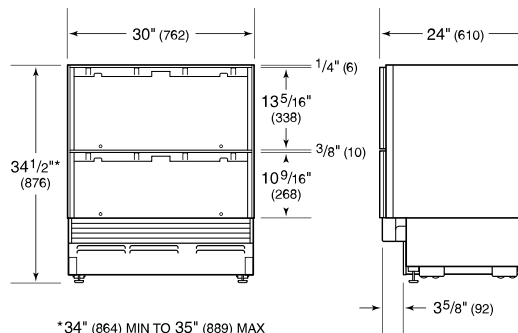
**NOTE:** Dimensions in parenthesis are in millimeters unless otherwise specified

**INTERIOR VIEW**

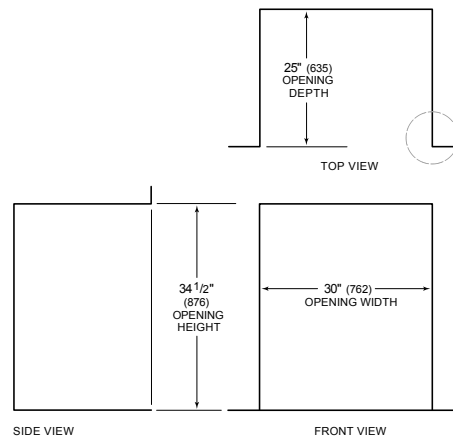


This illustration is intended for interior reference only and may not represent the exterior of the model being specified.

**DIMENSIONS**



**STANDARD INSTALLATION**



**NOTE:** 3 1/2" (89) finished returns will be visible and should be finished to match cabinetry

